

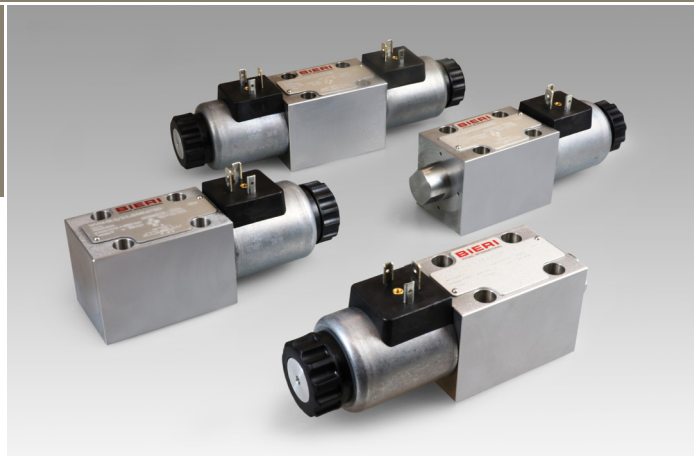
Directional poppet valves

Type WVM-6I

NG 6 ISO
up to 25 l/min, up to **500 bar**

Features

- Directly operated
- Poppet tight
- Good corrosion resistance
- High operational safety and reliable switching
- High duty cycles and long lifetime
- Detent version

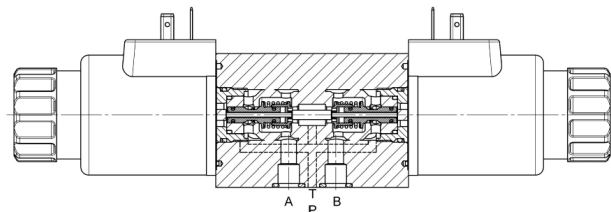


Applications

- Controlling of cylinders in higher pressure ranges as full replacement for spool valve technology (especially for poppet tight holding and bending)
- Clamping technology & jig construction
- Machine tools - auxiliary functions
- Forming technology - clamping
- Presses, test benches and systems
- Lifting and transport systems
- Hydraulic tools
- Wind turbine hydraulics

Design

- Pressure compensated, hardened and specially grinded valve cones
- Manual override
- Available as 2/2-, 3/2-, 3/3-, 3/4-, 4/2-, 4/3- or 4/4-valve solenoid actuated
- 360° turnable and exchangeable plug-in coil
- Integrated check valve and orificies available
- Patented functional principle
- Return pressure stop available on request



Technical data

Hydraulic fluid	Mineral oil according to DIN 51524 (other fluids on request)
Fluid temperature range	- 20 to 80 °C
Ambient temperature range	- 30 to 50 °C
Viscosity range	5 to 400 mm ² /s
Porting	NG 6 according to DIN 24340 / ISO 4401 / CETOP RP 121 H
Max. operating pressure connection P, A, B	500 bar
Max. operating pressure connection T	70 bar (WVM-6I-3/2-C = 500 bar)
Max. flow rate	25 l/min
Filtration (recommendation)	According to NAS 1638, class 6 resp. ISO/DIN 4406 17/15/12
Duty cycle DC	100%
Solenoid voltage (nominal power)	24 VDC (30 W)
Voltage tolerance	+/- 10%
Switching time	40 - 110 ms
Degree of protection	IP 65 according to EN 60529 / DIN 40050 (or according coil choice)
Weight	1.7 kg (1 coil), 2.2 kg (2 coils)
Material	Corrosion resistant steel (Solenoid coil: ZnNi-plated (1000 h salt spray test))

Type WVM-6I

NG 6 ISO
up to 25 l/min, up to 500 bar

Type code

		Additional elements																									
Example		WV	M	-	6I	-	4	/	4	-	E+H	-	24	-	V	-	A	10	-	RV	-	M	-	C			00
Directional poppet valves																								Design	00 ... 99	For internal purposes	
Size	500 bar																							Index	Please leave blank	For internal purposes	
Nominal size	6 ...																							Design revision	For internal purposes		
Connection ISO	... I																										
Intermediate plate valve	... Z																										
Number of ports	2, 3 or 4																										
Number of positions	2, 3 or 4																										
Control function	see overview „Product information“																										
Control method	0 without solenoid 24 solenoid 24 VDC																										
Seal material	V FKM																										
Connection for orifice	P P-connection (pressure) A A-connection B B-connection T T-connection (tank)*																										
Orifice-Ø	05 0.5 mm 07 0.7 mm 10 1.0 mm 14 1.4 mm 20 2.0 mm																										
Check valve	RV plug in check valve in P-connection																										
Measuring ports	M 1/8" measuring connections in A- and B-connection																										

* Safety note: Select orifice with regard to permissible tank pressure!

Product information

Valve type	WVM-6I-2/2			
Control function	E4	BE4	E2	BE2
Part No. without coil	4112864	4112973	4113026	4113029
Part No. 24 VDC	4066473	4066728	4066429	4066396
Symbol				
Valve type	WVM-6I-3/2		WVM-6I-3/2 (detent)	
Control function	X	C	Y-OF	
Part No. without coil	4114047	4113037	4592045	
Part No. 24 VDC	4068398	4066034	4580826	
Symbol				
Valve type	WVM-6I-3/3		WVM-6I-3/4	
Control function	E		E+H	
Part No. without coil	4114051		4113057	
Part No. 24 VDC	4067299		4067552	
Symbol				
Valve type	WVM-6I-4/2		WVM-6I-4/3	
Control function	X	C	E	
Part No. without coil	4113069	4113103	4113107	
Part No. 24 VDC	4070867	4070353	4054700	
Symbol				
Valve type	WVM-6I-4/3			
Control function	H		U	
Part No. without coil	4113135		4441304	
Part No. 24 VDC	4070064		4441475	
Symbol				
Valve type	WVM-6I-4/4			
Control function	E+H			
Part No. without coil	4113193			
Part No. 24 VDC	4057806			
Symbol				
Valve type	WVM-6I-4/4			
Control function	J+M			
Part No. without coil	4113196			
Part No. 24 VDC	4072509			
Symbol				

Usual flow direction

Type WVM-6I

NG 6 ISO
up to 25 l/min, up to 500 bar

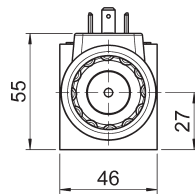
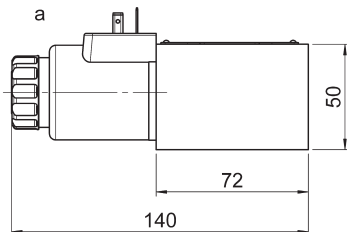
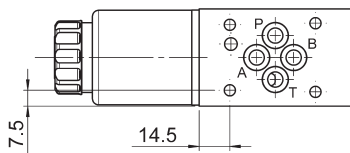
Valve type	WVM-6Z-2/2	
Control function	E4	BE4
Part No. 24 VDC	4444589	4444892
Symbol		

Usual flow direction

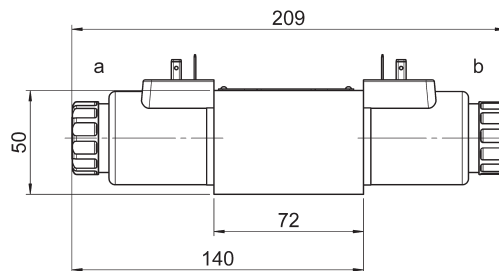
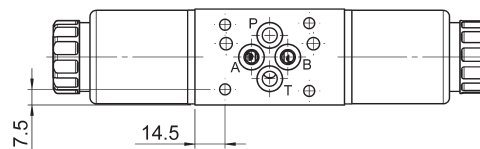
Dimensional drawings

WVM-6I directional poppet valves

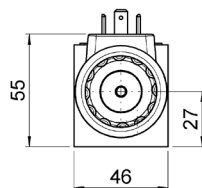
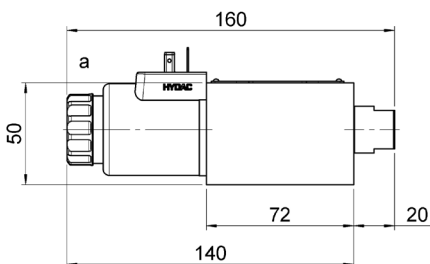
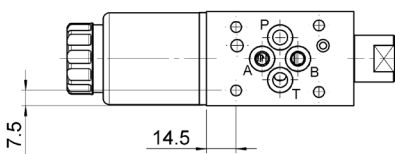
2/2 and 3/2w



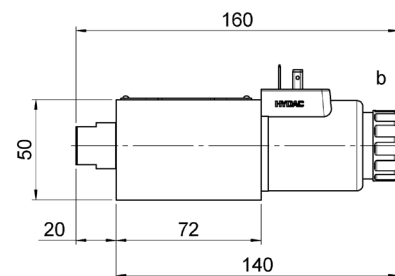
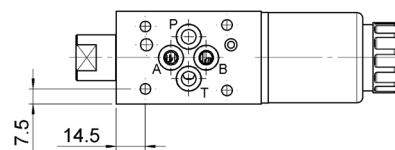
3/2-Y-OF, 3/3, 3/4, 4/3 and 4/4



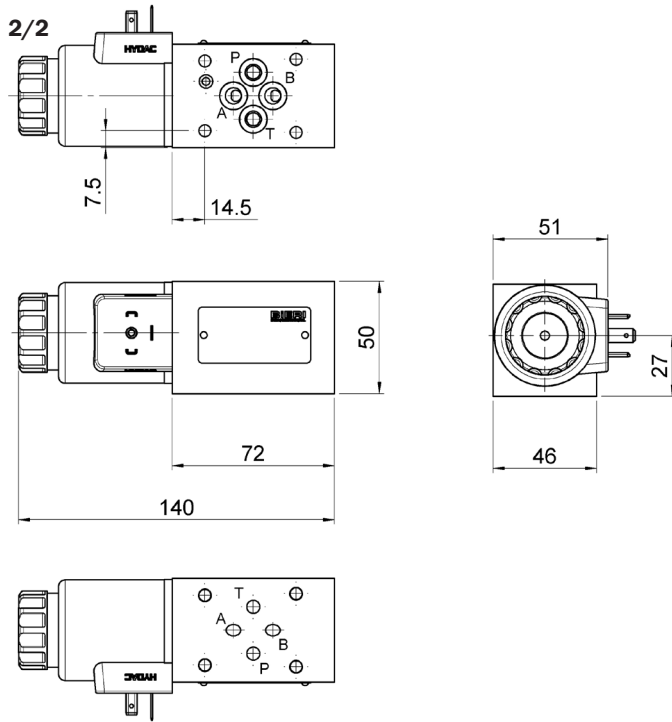
4/2-X



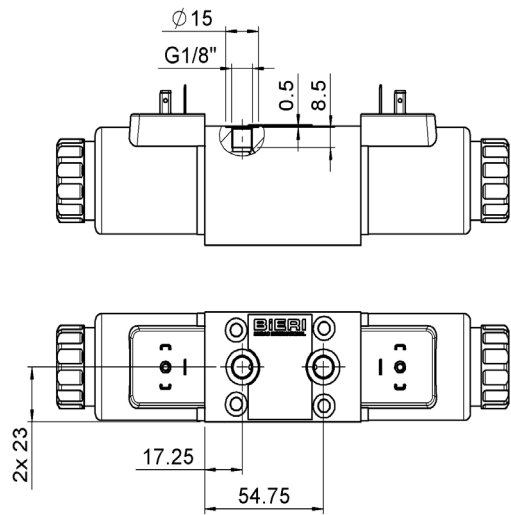
4/2-C



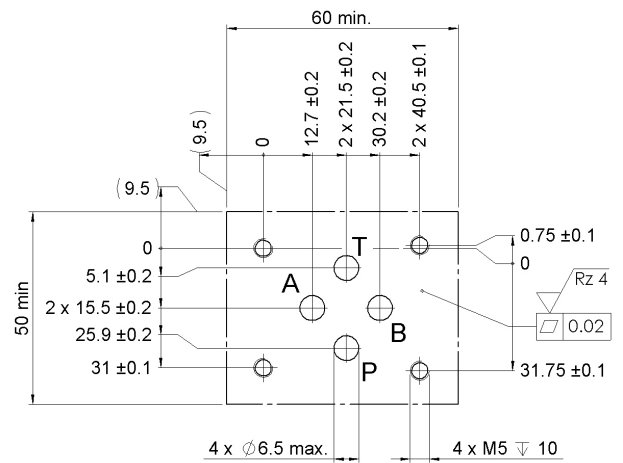
WVM-6Z directional poppet valves



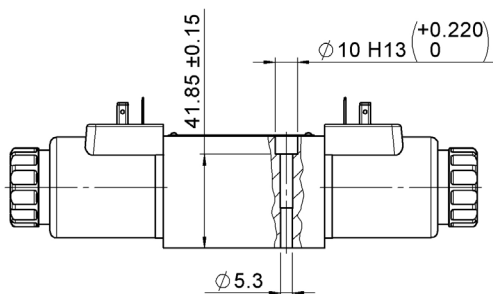
With measuring connection



Drilling pattern

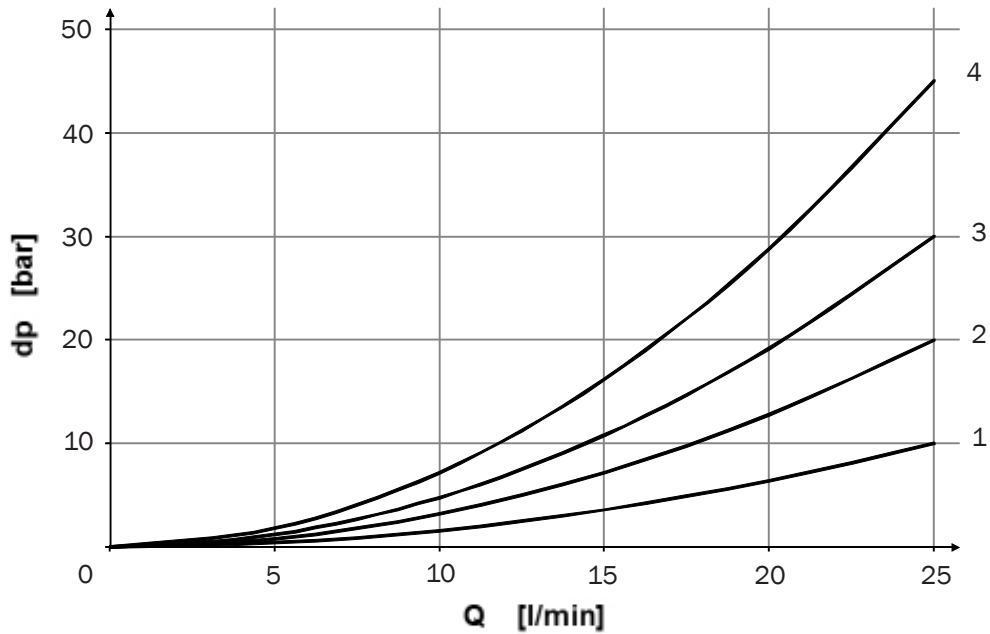


Mounting screws / clamping length



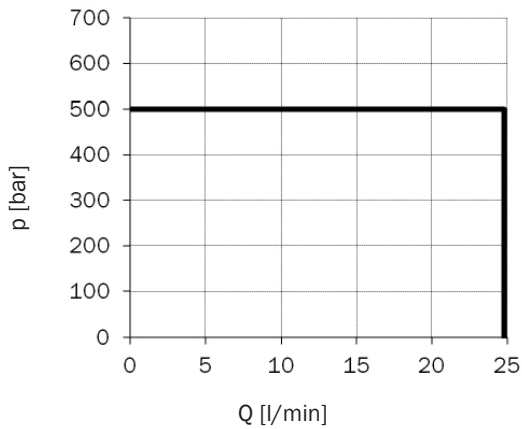
Pressure drop

($\nu = 32 \text{ mm}^2/\text{s}$)



Valve type	Control function	a				b		0 (+)				
		P-A	A-T	B-T	P-T	P-B	A-T	P-A	B-T	P-B	A-T	P-T
2/2	E2	2										
2/2	BE2							1				
2/2	E4				2							
2/2	BE4											1
3/2	X	2									1	
3/2	C		2					1				
3/2	Y-OF	3					2					
3/3	E	2					1					
3/4	E+H	2					1	(2)			(1)	(3)
4/2	X	2		1						2	1	
4/2	C					2	1	2	1			
4/3	E	2		1		2	1					
4/3	H	2		1		2	1	3	3	3	3	2
4/3	U	2		2		4	2		4			
4/4	E+H	2		1		2	1	(2)	(1)	(2)	(1)	(1)
4/4	J+M	2		1		2	1	(2)	2	(2)	2	

Hydraulic switching capacity



Hydraulic switching capacity at rated voltage and ambient temperature $T_a = 50^\circ \text{C}$
 $v = 32 \text{ mm}^2/\text{s}$

Applies to all valves (control functions)!

Switch on current I_{ON}
 $I_{\text{ON}} \geq 0.7 \times I_N$

Switch off current I_{OFF}
 $I_{\text{OFF}} \leq 0.07 \times I_N$

Switching times

Valve type	Control function	Switching on [ms]*		Switching off [ms]*
		at operating temperature ($0.7 \times I_N$)	cold ($1 \times I_N$)	
2/2	E4, BE4	60	40	25
2/2	E2, BE2	110	45	25
3/2	X	60	40	25
3/2	C	110	45	25
3/2	Y-OF	60	40	25
3/3	E	60	40	25
3/4	E+H	60	40	25
4/2	X, C	110	45	25
4/3	E	90	45	25
4/3	H	60	40	25
4/3	U	a = 110 / b = 90	a = 50 / b = 45	25
4/4	J+M, J+M-2RV	60	40	25
4/4	E+H	90	45	25
4/4	M+J-2RV	110	45	25
4/4	Z+X-2RV	a = 110 / b = 60	a = 45 / b = 40	25

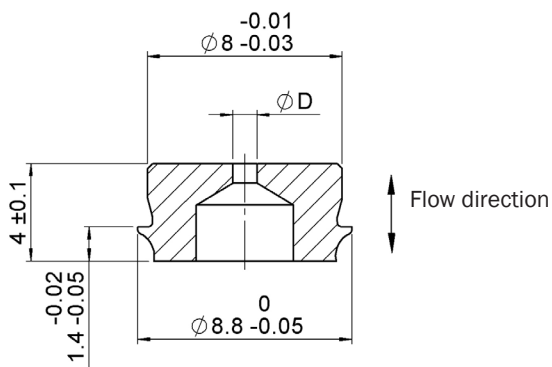
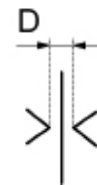
* indicative values

Type WVM-6I

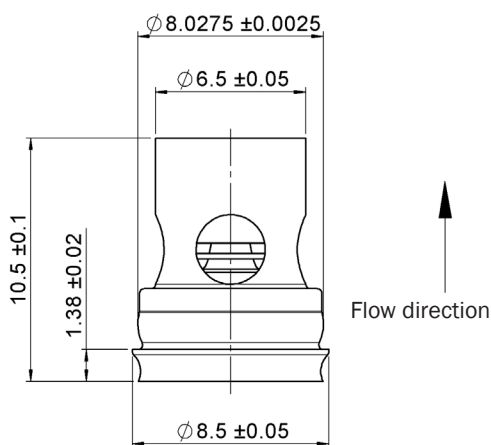
NG 6 ISO
up to 25 l/min, up to 500 bar

Accessories**Orifice for P-, A-, B-, T-connection**

Part description	Type code	Part No.
Orifice \varnothing 0,5	BL700-6-D8-0,5-A*00	3687934
Orifice \varnothing 0,7	BL700-6-D8-0,7-A*00	3687956
Orifice \varnothing 1,0	BL700-6-D8-1,0-A*00	3687961
Orifice \varnothing 1,4	BL700-6-D8-1,4-A*00	3656890
Orifice \varnothing 2,0	BL700-6-D8-2,0-A*00	3687970

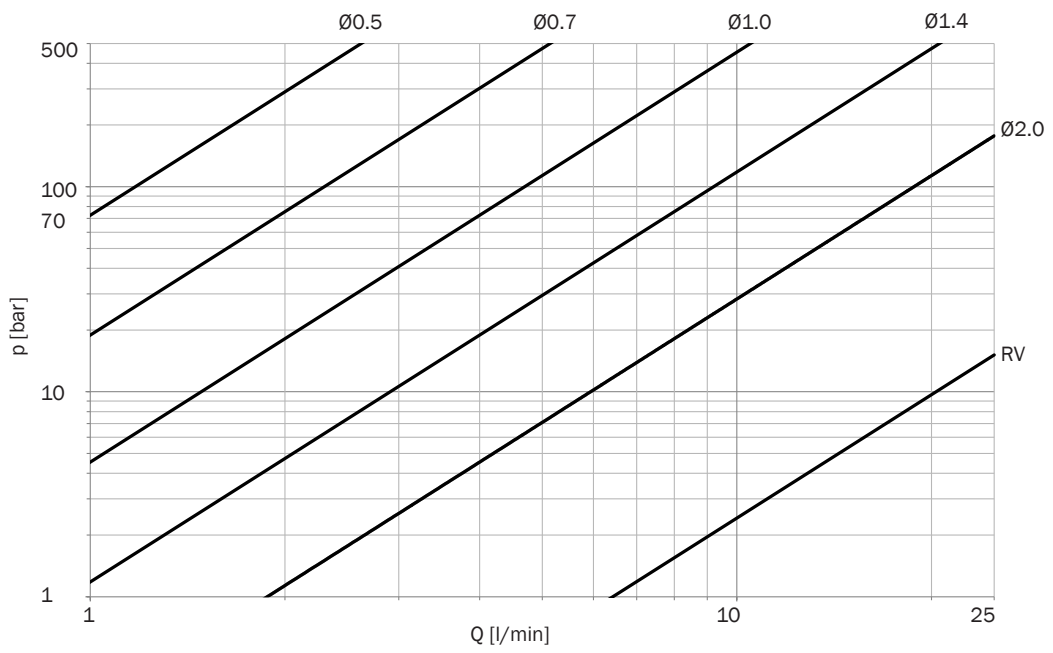
Dimensional drawing**Symbol****Check valve for P-connection**

Part description	Type code	Part No.
Check valve (fitting in connection P)	RV500-6-D8-A*00	4269275

Dimensional drawing**Symbol**

Load change B10d 6 million according to ISO 13849-1

Drop pressure



Type WVM-6I

NG 6 ISO
up to 25 l/min, up to 500 bar

Solenoid coil

All WVM-6I valves are supplied with solenoid coil 4244171 as standard. Optionally, other solenoid coils of the Coil-50-2345 series according to the table below can also be used.

The valve „without solenoid coil“ (control type „0“ in the type code) and the solenoid coil have separately. Coil nut and O-ring are supplied with the valve.

Connection	DIN 436050 radial	Junior Timer axial	Litz wire 300 mm long	Deutsch DT04 axial
Protection ¹	IP65	IP67	IP67	IP67
12 V Part No.	4244169	on request	on request	on request
24 V Part No.	4244171	on request	on request	on request
110 VAC Part No.	3586364 ²	on request	on request	on request
230 VAC Part No.	3586396 ²	on request	on request	on request

¹ Important note: The protection class applies to the solenoid coil. The precondition is the proper assembly of the mating connector and the same or better protection class of the mating connector.

² Rectifier is integrated in the solenoid coil

Part description	Part No.
1 x Plug for solenoid grey	6132484
1 x Plug for solenoid black	3728850
1 x Plug for solenoid with rectifier / grey	3681390
1 x Plug for solenoid with rectifier / black	3671158
1 x LRS KPL Z4 TR 2Pol LED (power reduction plug)	3689354
4 x Socket head screw ISO 4762-M5 x 50-12.9	4455691

Spare parts

Part description	Part No.
4 x O-Ring 9,25 x 1,78, FKM	4455692
1 x Pole tube nut	914555
1 x O-Ring for pole tube nut	616992

Bieri Hydraulik AG

Könizstrasse 274
CH-3097 Liebefeld
Tel. +41 31 970 09 09 | Fax +41 31 970 09 10
info@bierihydraulics.com | www.bierihydraulics.com

The information in this brochure relates to the operating conditions and applications described.

For applications and operating conditions not described, please contact the relevant technical department.

Subject to technical modifications.