

# Unloading valves

## Type DAM

NG 4

up to 40 l/min, up to **700 bar**

### Features

- Adjustable over the entire pressure range
- Good corrosion resistance
- High operational safety and reliable switching
- Poppet tight



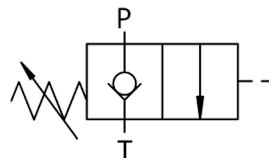
### Applications

The unloading valve is used with a low pressure (LP) and a high pressure pump (HP) in a dual-pressure-system. They both supply the same working port. The valve unloads the low pressure pump flow at a set pressure to the tank.

Before the switchover both pumps supply the working port. After the switch over the low pressure pump flow is connected loss-free to the tank. The working port is supplied by the high pressure pump only.

### Design

- Poppet valve
- Directly operated



### Technical data

Hydraulic fluid	mineral oil according to DIN 51524 (other fluids on request)	
Fluid temperature range	-20 to 80 °C	
Ambient temperature range	-20 to 50 °C	
Viscosity range	10 to 400 mm <sup>2</sup> /s	
Porting	NG 4	
Max. operating pressure connection HP	700 bar	
Max. operating pressure connection LP	150 bar	
Pressure setting range connection LP	25 to 150 bar	
Max. flow rate	40 l/min	
Filtration (recommendation)	according to NAS 1638 class 6 resp. ISO/DIN 4406 17/15/12	
Pressure drop (LP->T)	3 bar (at 25 l/min and 32 mm <sup>2</sup> /s)	
Weight	0.18 kg	
Materials	cartridge body:	free-cutting steel
	cone:	hardened steel
	valve body:	stainless steel

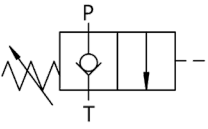
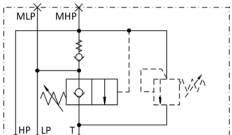
## Type DAM

NG 4  
up to 40 l/min, up to 700 bar

## Type code

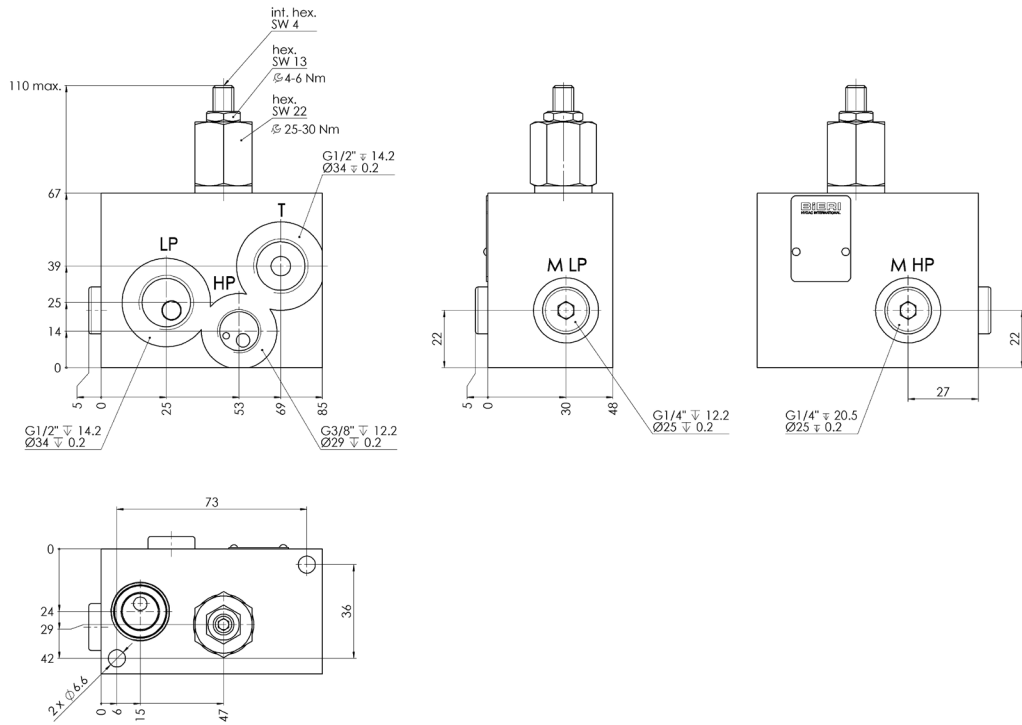
Example	DA	M	-	4E	-	X	-	150	-	V	-	A		00
<b>Unloading valves</b>														
<b>Size</b>	700 bar													
<b>Nominal size</b>	4 ...													
<b>Cartridge</b>	... E													
<b>In-line body</b>	... R													
<b>Design</b>	Cartridge with hole for pressure relief valve DB (see technical data sheet DB500/700/1000)													
<b>Max. pressure setting connection LP</b>	150 bar													
<b>Seal material</b>	V FKM other seal materials on request													
	<b>Design</b> 00 ... 99 For internal purposes													
	<b>Index</b> Please leave blank For internal purposes													
	<b>Design revision</b> For internal purposes													

## Product information

<b>Connection</b>	<b>4E</b>
<b>Design</b>	<b>X</b>
Type code	DAM-4E-X-150-V-A*00
Part No.	3958418
Symbol	
<b>Connection</b>	<b>4R</b>
<b>Design</b>	<b>DB</b>
Type code	DAM-4R-DB-150-V-A*00
Part No.	4757390
Symbol	

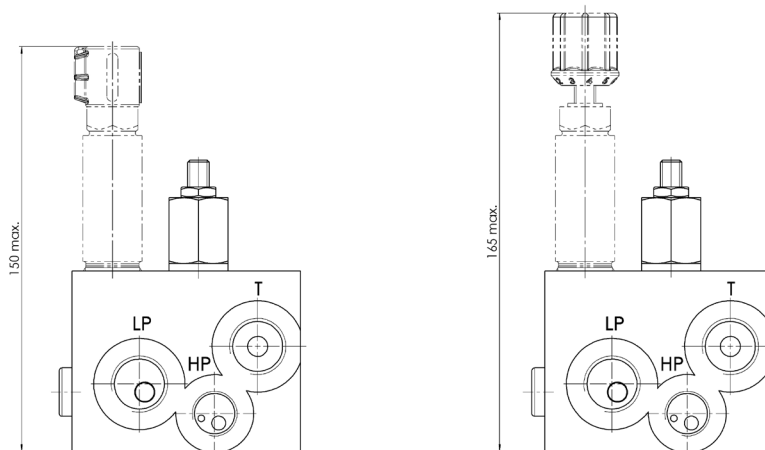


**Dimensional drawing for in-line body**



**with sealing cap**

**with turning knob**



**(cartridge not included in scope of supply)**