

Intermediate plates/ Orifices /Check valves

Type ZP700/ BL700/ RV700

NG 6 ISO
uo to 25 l/min, up to **700 bar**

Features

- Intermediate plates for the installation of orifices and check valves
- Intermediate plates with threaded connections



Applications

- The intermediate plates are used for a functional add-on for poppet valves with orifices and/or check valves
- The connections P/T/A/B can be used for sensor system

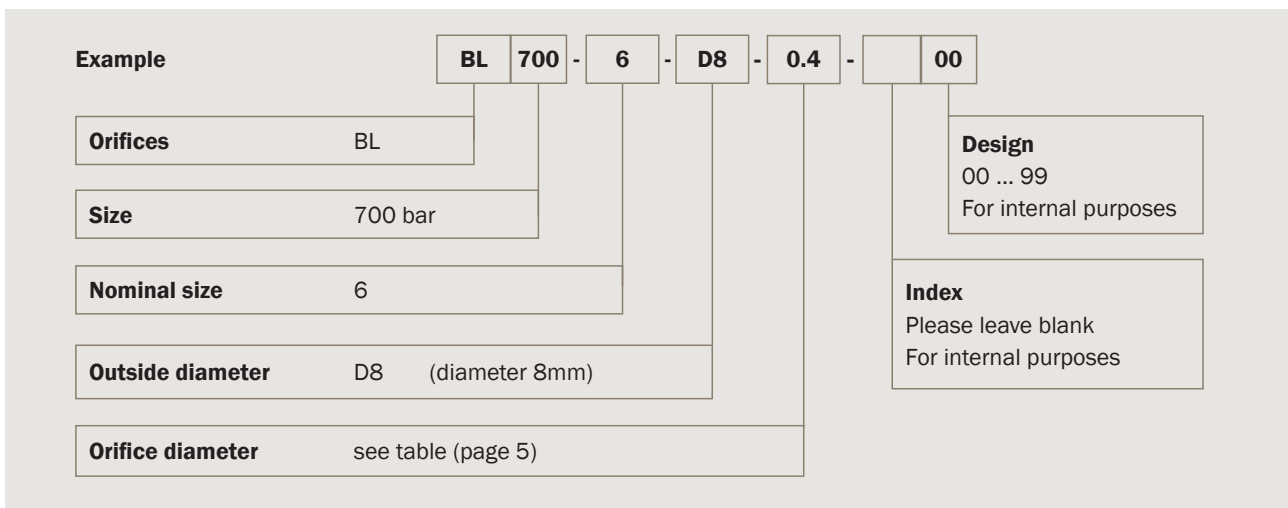
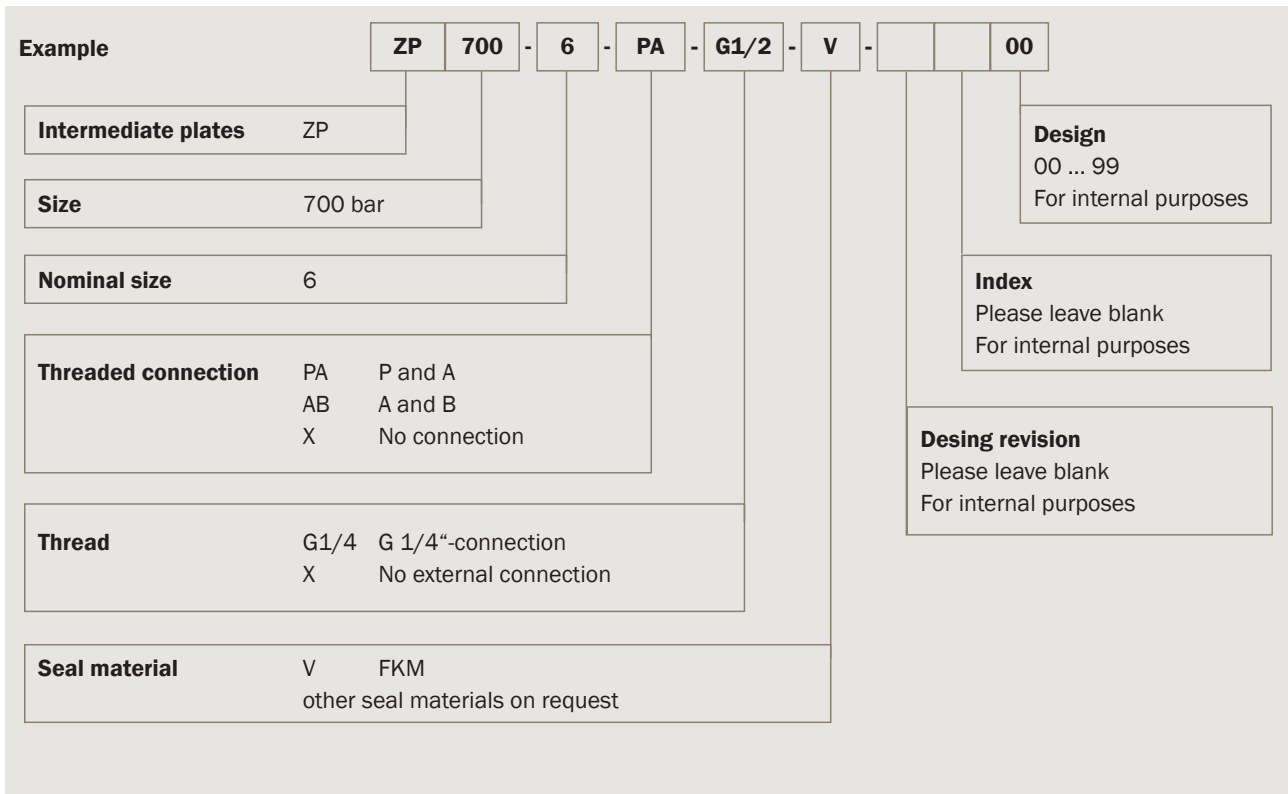
Design

- as subplate
- as check valve
- for orifices
- tower-type interlinkage

Technical data

Hydraulic fluid	mineral oil according to DIN 51524 (other fluids on request)
Fluid temperature range	- 20 bis 80 °C
Ambient temperature range	- 30 to 50 °C
Viscosity range	5 to 400 mm ² /s
Porting	NG 6 according to DIN 24340/ ISO 4401/ CETOP RP 121 H
Max. operating pressure connection P, A, B	700 bar
Max. operating pressure connection T	350 bar
Max. flow rate	25 l/min
Filtration (recommendation)	according to NAS 1638 class 6 resp. ISO/DIN 4406 17/15/12
Weight	see overview "Product information"
Materials	intermediate plate body: steel stainless orifice: steel check valve: steel

Type code



Example

RV 700 - 6 - D8 - V - 00

Check valves	RV	<div style="border: 1px solid black; padding: 5px; margin-bottom: 5px;">Design 00 ... 99 For internal purposes</div> <div style="border: 1px solid black; padding: 5px;">Index Please leave blank For internal purposes</div>
Size	700 bar	
Nominal size	6	
Outside diameter	D8 (diameter 8mm)	
Seal material	V FKM other seal materials on request	

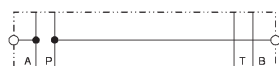
Product information (intermediate plates)

Type	Threaded connections	Thread ["]	Weight [kg]	Part No.
ZP700-6-PA-G1/4-V-A*00	P and A	G 1/4	1,3	on request
ZP700-6-AB-G1/4-V-A*00	A and B	G 1/4	1,3	on request
ZP700-6-X-X-V-A*00	No connections	No thread	0,5	on request

Note: For each plate in the delivery included are 4 pcs. O-Ring, D9.25xd1.78, 90° ShA

Symbol

P and A



A and B

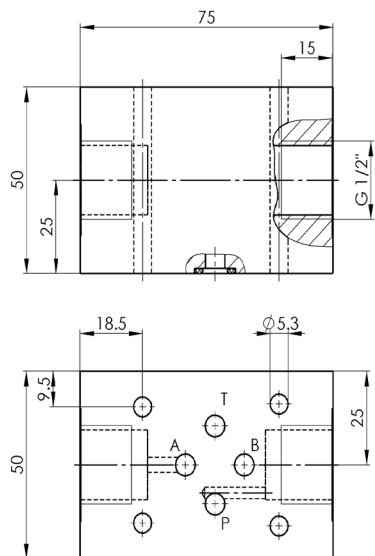


No connections

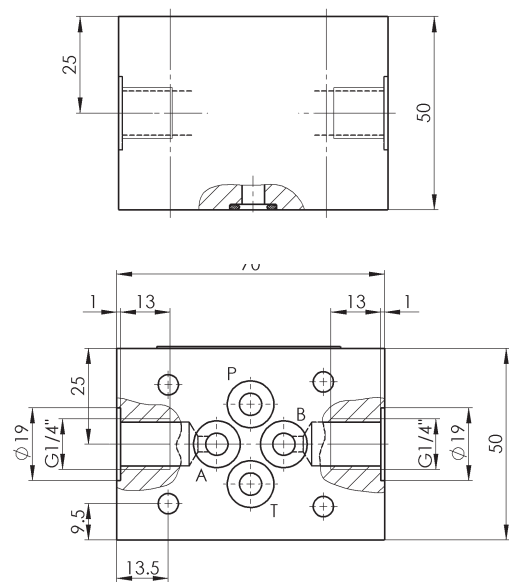


Dimensional drawings

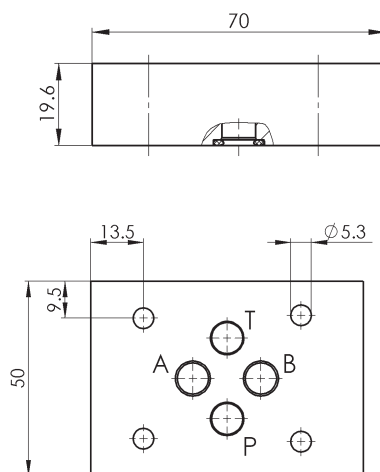
P and A



A and B

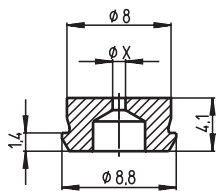
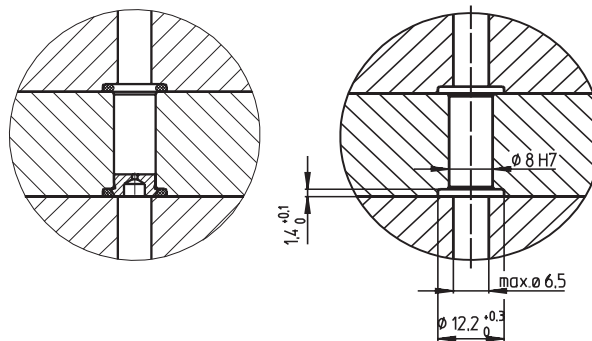


No connections



Product information (orifices)**Orifices (only for intermediate plate without connections)**

Type	$\varnothing X$ [mm]	Part No.	Type	$\varnothing X$ [mm]	Part No.
BL700-6-D8-0.4*00	0,4	3687933	BL700-6-D8-1.3*00	1,3	3687964
BL700-6-D8-0.5*00	0,5	3687934	BL700-6-D8-1.4*00	1,4	3656890
BL700-6-D8-0.6*00	0,6	3687955	BL700-6-D8-1.5*00	1,5	3687965
BL700-6-D8-0.7*00	0,7	3687956	BL700-6-D8-1.6*00	1,6	3687966
BL700-6-D8-0.8*00	0,8	3687958	BL700-6-D8-1.7*00	1,7	3687967
BL700-6-D8-0.9*00	0,9	3687960	BL700-6-D8-1.8*00	1,8	3687968
BL700-6-D8-1.0*00	1,0	3687961	BL700-6-D8-1.9*00	1,9	3687969
BL700-6-D8-1.1*00	1,1	3687962	BL700-6-D8-2.0*00	2,0	3687970
BL700-6-D8-1.2*00	1,2	3687963			

Dimensional drawing**Mounting drawing**

Product information (check valves)

Check valve (only for intermediate plate without connections)

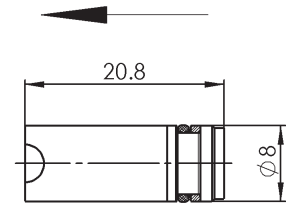
Type	Part No.
RV700-6-D8-V-A*00	3685929

Δp by 25 l/min approx. 6 bar

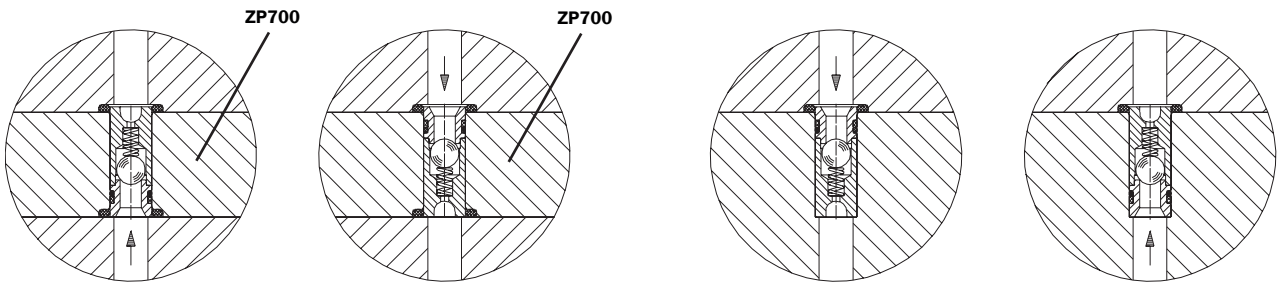
Symbol



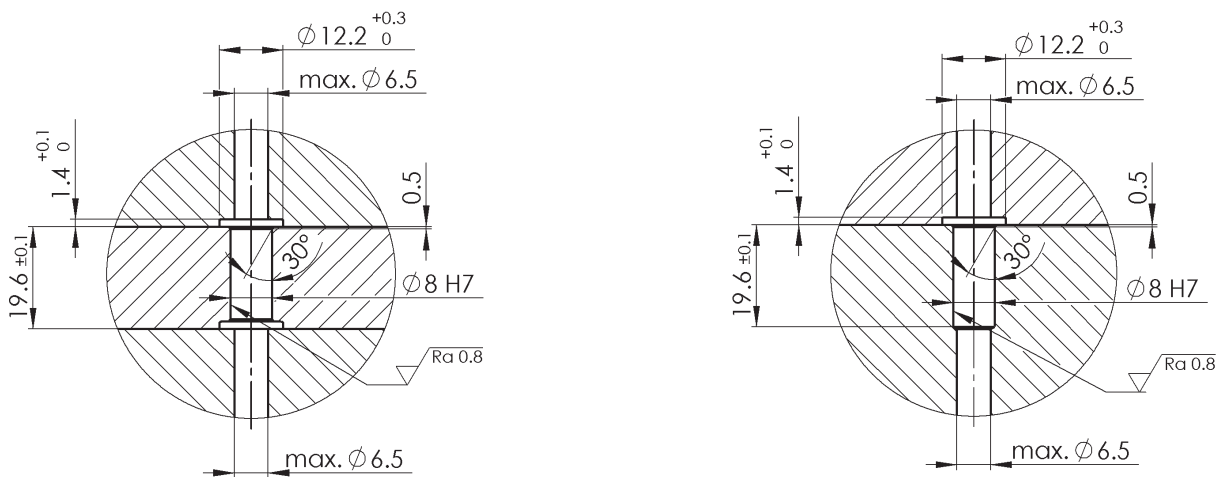
Dimensional drawing



Mounting possibilities



Cavity drawing



Bieri Hydraulik AG

Könizstrasse 274
CH-3097 Liebefeld
Tel. +41 31 970 09 09 | Fax +41 31 970 09 10
info@bierihydraulics.com | www.bierihydraulics.com

The information in this brochure relates to the operating conditions and applications described.

For applications and operating conditions not described, please contact the relevant technical department.

Subject to technical modifications.