

Manual slide valves

Type HSV700

NG 6

up to 25 l/min, up to 700 bar

Features

- Slide shoe type directional seated valve
- Robust lever control
- Detent
- Virtually leakagefree
- Safe load holding
- Low susceptibility to dirt
- Low weight
- Low adjustment force



Applications

- Portable, weight-optimized aggregates
- Test benches

Design

- Pressure-supported sealing discs for safe load holding and optimum sealing
- Roller bearing lever for uniform actuating force
- Available for in-line mounting or manifold assembly
- Adapter plate for NG6-ISO (CETOP) connection surfaces available
- Spring loaded sliding shoes

Technical data

Hydraulic fluid	mineral oil according to DIN 51524 (other fluids on request)
Fluid temperature range	-20 to 80 °C
Ambient temperature range	-30 to 50 °C
Viscosity range	5 to 400 mm ² /s
Porting	NG 6
Max. operating pressure connection P,A, B	700 bar
Max. operating pressure connection T	70 bar
Max. flow rate	25 l/min
Filtration (recommendation)	according to NAS 1638 class 6 resp. ISO/DIN 4406 17/15/12
Connection types	in-line mounting: 3/8"-NPT manifold assembly: NG 6 acc. to Bieri drilling pattern S adapter plate: NG 6 acc. to DIN 24340 / ISO 4401 / CETOP RP 121 H
Weight	in-line mounting: 1.4 kg manifold assembly: 1 kg
Materials	body: aluminium lever: plastic adapter plate: steel cover: Anodised aluminium

Type HSV700

NG 6
up to 25 l/min, up to 700 bar

Type code

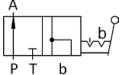
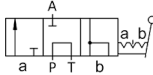
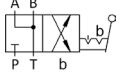
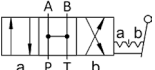
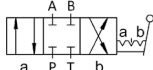
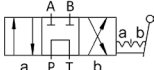
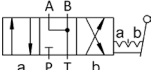
Example	HSV700 - 6R - 3 / 2 - U - HR - V - A - 00
Manual slide valves	
Size	700 bar
Nominal size	6 ...
Connection in-line mounting	... R
Connection manifold assembly	... S
Number of ports	3 or 4
Number of positions	2 or 3
Control function	see overview „Product information“
Control method	HR manual lever / detent
Seal material	V FKM other seal materials on request

Design
00 ... 99
For internal purposes

Index
Please leave blank
For internal purposes

Design revision
For internal purposes

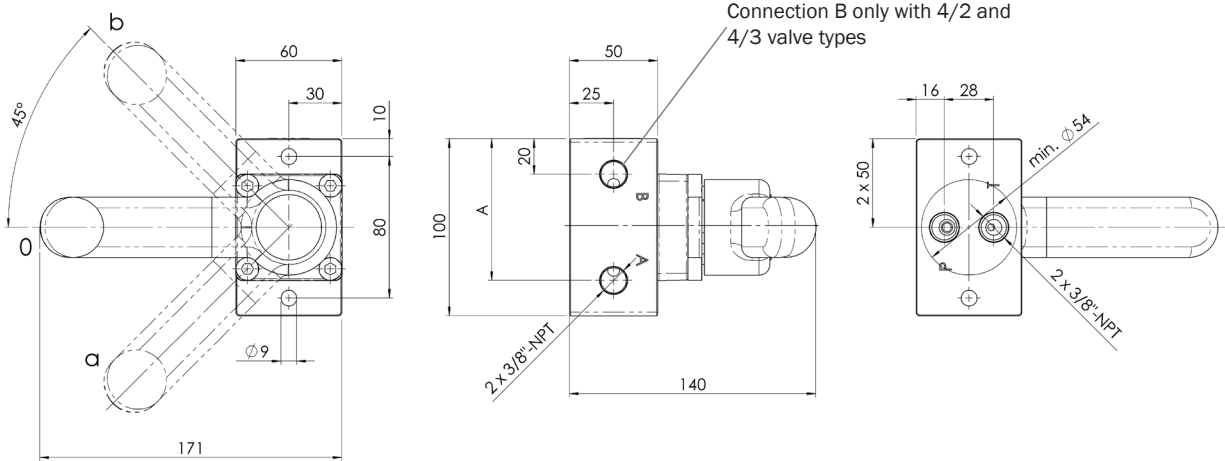
Product information

Valve type	3/2	3/3		
Control function	Q	G		
Part No. Connection R		4534925		
Part No. Connection S	on request	4534927		
Symbol				
Valve type	4/2			
Control function	J			
Part No. Connection S	4534929			
Symbol				
Valve type	4/3			
Control function	H	E	U	J
Part No. Connection R	on request	4534933	4534935	on request
Part No. Connection S	4534932	4534934	4534936	on request
Symbol				

Dimensional drawings

In-line mounting (R)

3/3 and 4/3 valve type

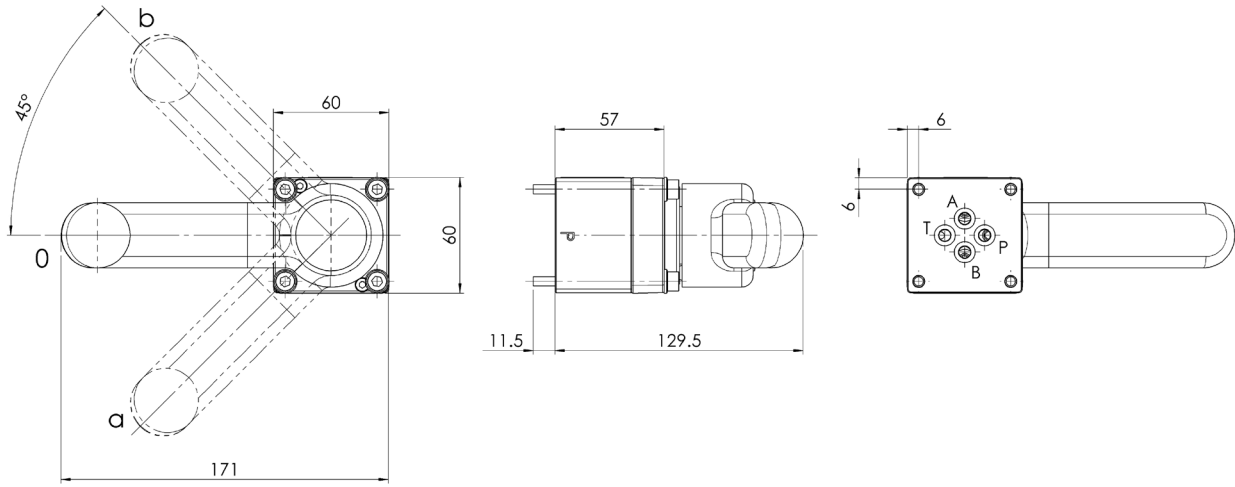


Valve type	Dim. A [mm]
3/3	67.5
4/3	80

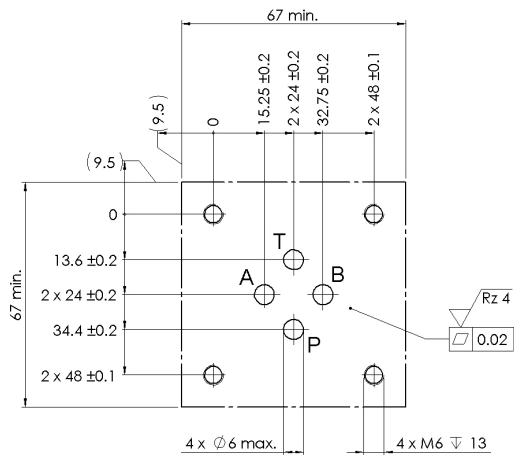
Type HSV700

NG 6
up to 25 l/min, up to 700 bar

Manifold assembly (S)



Drilling pattern manifold assembly

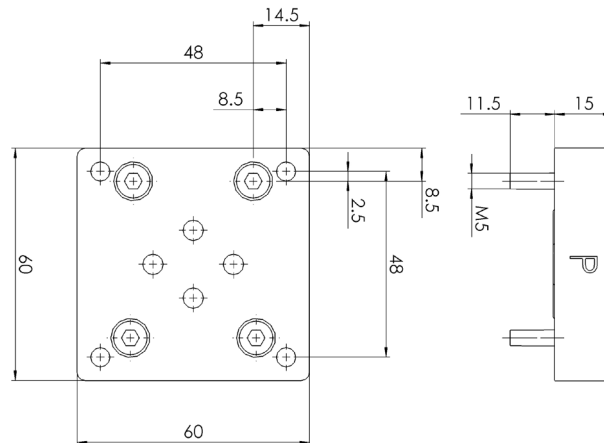


Adapter plate

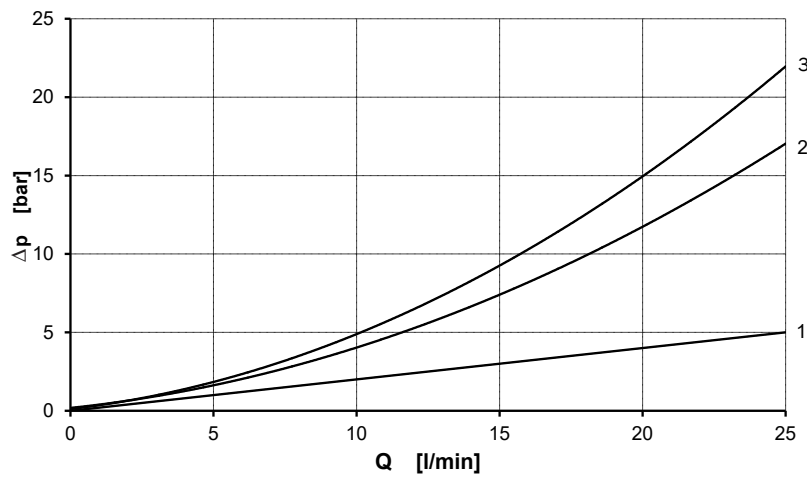
Item description	Weight	Part No.
HSV700 adapter plate CETOP FKM	0.4 kg	3999484

It is supplied with four M5 screws and the necessary seals (FKM).

Dimensional drawing



Pressure drop



Valve type	Control function	a		b			0					
		P-A	B-T	P-B	A-T	P-A	P-A	B-T	P-B	A-T	P-T	
3/2	Q				3	3	1					
3/3	G	3					3			3	2	
4/2	J			3	3			3		3		
4/3	H	3	3	3	3		3	3	3	3		
4/3	E	3	3	3	3							
4/3	U	3	3	3	3							2
4/3	J	3	3	3	3			3		3		

Type HSV700

NG 6
up to 25 l/min, up to 700 bar

Spare parts

Item description	Part No.
4 x O-ring 7,65 x 1,78, FKM	4481551
4 x Socket head screw ISO 4762-M5 x 20-12.9	4484492
4 x Socket head screw ISO 4762-M6 x 70-8.8-A3B (galvanised blue)	4484494

Bieri Hydraulik AG
Könizstrasse 274
CH-3097 Liebefeld
Tel. +41 31 970 09 09 | Fax +41 31 970 09 10
info@bierihydraulics.com | www.bierihydraulics.com

The information in this brochure relates to the operating conditions and applications described.
For applications and operating conditions not described, please contact the relevant technical department.
Subject to technical modifications.