

# Pressure switch with two adjustable change-over switch

## Type DV7.2

up to 1000 bar

### Features

- Designed for rough operating conditions
- Insensitive to hydraulic overloads
- Specially developed piston seal
- Housing made of anodized aluminium
- Degree of protection IP 54
- Instrument plug according EN 175301-803
- Rotatable under pressure around the longitudinal axis
- Very high operational safety
- Insensitive to EMV
- No power supply necessary

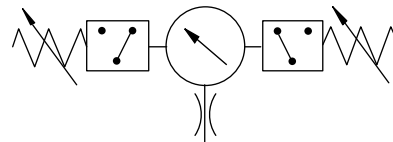


### Applications

Piston type hydromechanical pressure switch with one change-over switch, easily adjustable over the entire pressure range, with scale for presetting of the pressure switching point. 7 pressure ranges for the optimal adaptation to any operating pressure.

### Design

A damping screw is fitted as standard to protect the pressure switch.



### Technical data

Hydraulic fluid	mineral oil according to DIN 51524 (other fluids on request)
Temperature range Medium	-20 to 80 °C
Ambient temperature range	-30 to 50 °Cw
Viscosity range	5 to 400 mm <sup>2</sup> /s
DIN appliance plug connection (3P + GND)	according to EN 175301-803
Mounting position	arbitrarily
Appliance plug	rotatable about 3 x 90°
Switching hysteresis of the scale end value	2 - 10%
Repeat accuracy of the scale value	1%
Degree of protection	IP 54
Insulations class	I
Accuracy class	4.0
Materials	housing: aluminium anodized front scale: PC (Polycarbonat)

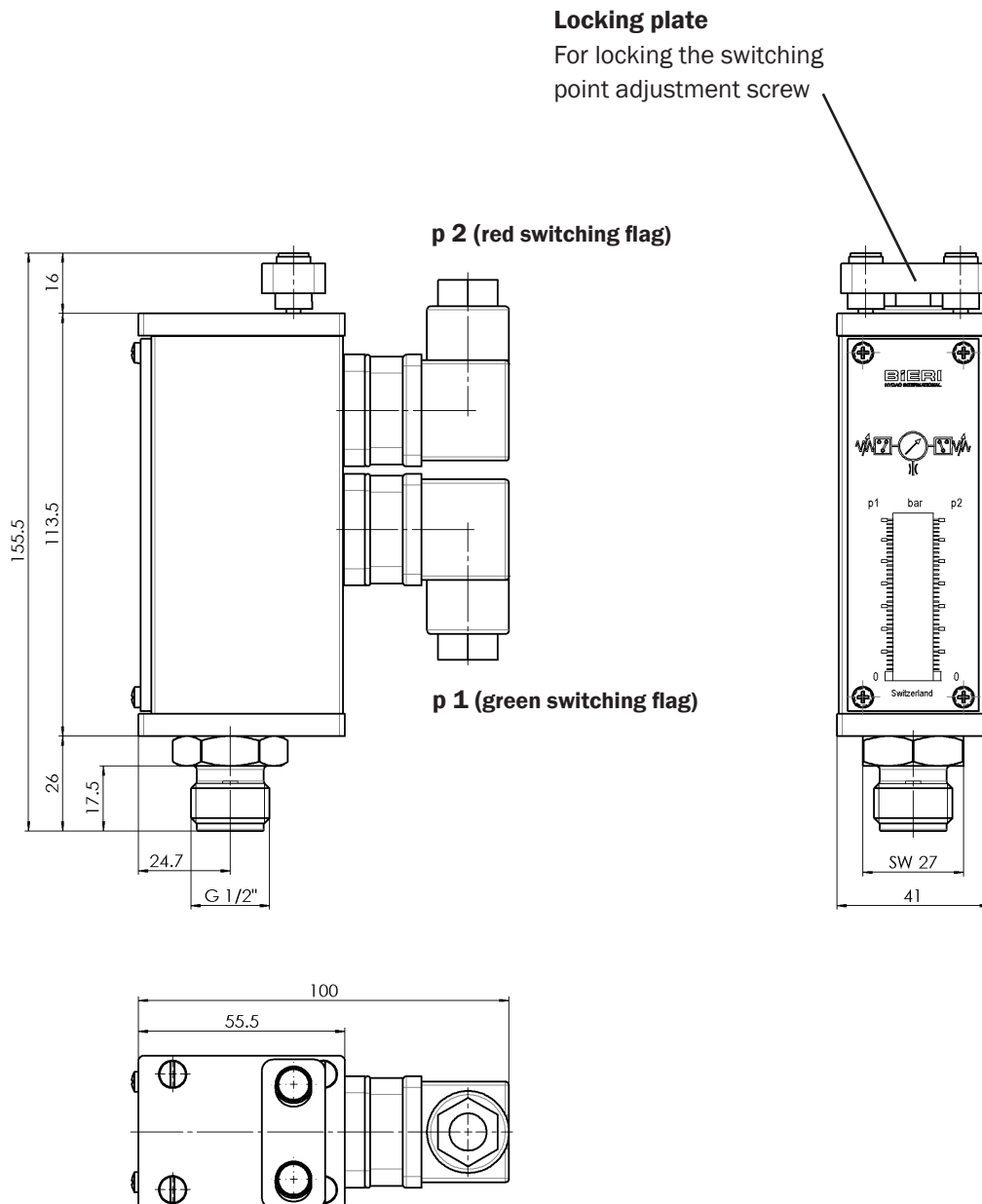
## Type DV7.2

up to 1000 bar

### Product information

Type		Pressure [bar]	Pressure peak [bar]	Part No.
DV7.	70.29007	70	150	3646012
DV7.	100.29010	100	300	3682681
DV7.	160.29016	160	300	3674639
DV7.	250.29025	250	1200	3665347
DV7.	400.29040	400	1200	3661924
DV7.	600.29060	600	1200	3682754
DV7.	1000.29100	1000	1200	3658057

### Dimension drawing

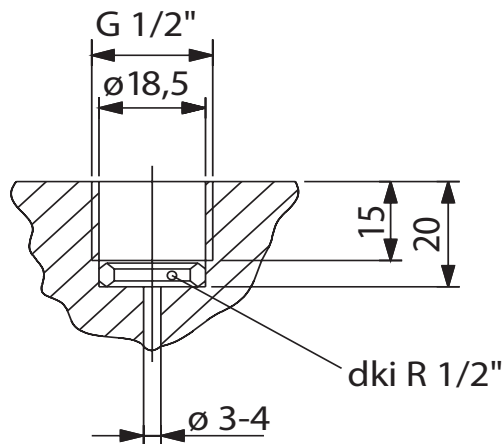


## Hydraulic connection

Up to 640 bar

Gauges according DIN 2353.

Above 640 bar connection thread as shown below, with seal ring dki 1/2" BSP (f.e. Ermeto).



## Changeover contact switch

### Electrical switching capacity

According to EN IEC 60947-5-1 : 2018

Material switch contacts	pure silver (Ag 999)
AC-15	2 A/ 125 V... 250 V
Rated insulation voltage	250 V
Rated impulse withstand voltage	2.5 kV
Pollution degree	3
Short-circuit protection device: Cylindrical fuse holder with	10 A gG fuse
Conditional short circuit current	100 A
Height above sea level	2000 m
ENEC	250 VAC 10 (3) A, 1E4 A
UL/CSA	250 VAC 10.1 A

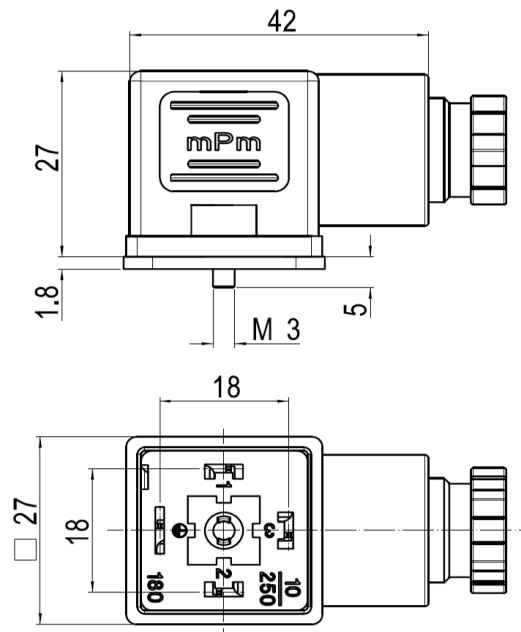
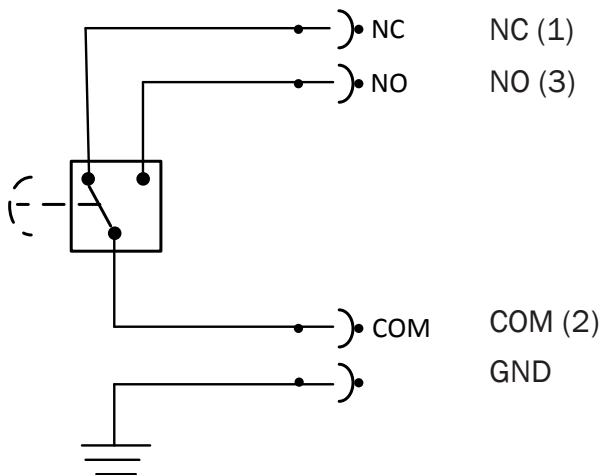
## Cable plug according to DIN EN 175301 - 803

### PIN assignment of the connector

#### p 1 and p 2

p 1: green switching flag (see dimension drawing)

p 2: red switching flag (see dimension drawing)



### General information on the cable plug

Connecting lead - Ø	6.00 - 8.00 mm
Connection cross section max.	1.5 mm <sup>2</sup>
Position ground contact	H12
Material connector casing	PA6 black
Material flat gasket	NBR
Material plug contacts	Silver (Ag)
Cable gland	PG 9
Outlets	3 poles + GND

#### Bieri Hydraulik AG

Könizstrasse 274  
CH-3097 Liebefeld  
Tel. +41 31 970 09 09 | Fax +41 31 970 09 10  
info@bierihydraulics.com | www.bierihydraulics.com  
4/4

The information in this brochure relates to the operating conditions and applications described.

For applications and operating conditions not described, please contact the relevant technical department.

Subject to technical modifications.

DV7-2\_10000548332\_EN\_28L23