

Oil level switch

Type FS

Temperature up to 90° C
Length up to 1200 mm



Features

- Guaranteed potential free switching
- Can be dismantled without removing the tank cap
- Suitable with many different fluids
- Very good price/performance ratio

Design

- Smallest dimensions
- Direct mounting on tank lid with a thread

Applications

- Level and temperature control in the tank

Technical data

Thread size	M20 x 1,5 mm
Mounting position	Vertical ± 10°
Instrument plug	DIN 43650
Degree of protection	IP 65
Switching voltage	Level: max. 230 VAC/230 VDC Temperature: max. 250 VAC/250 VDC
Switching current	Level: max. 0,8 A/0,8 A ind. Temperature: max. 2,5 A/1,6 A ind. Temperature: max. 50 mA
Switching capacity (level)	Max. 20 W/26 VA
Temperature hysteresis	Max. 25 °C
Temperature accuracy	± 10%
Temperature switching point	Normally closed: + 55/60/70/80/90 °C Normally open: + 60/70/80/90 °C
Contact functions	Normally closed or normally open
Medium	Mineral oil

Type FS

Temperature up to 90 ° C
Length up to 1200 mm

Type code

ordering example **FS** - **2** - **34206** - **156** - **62** - **60**

Oil level switch

1 = 1 Point
2 = 2 Point

Type 34200
see product information 34201
 34202
 34203
 34209
 34204
 34205
 34206
 34207
 34208

Temperatur switching point
Closer 60, 70, 80, 90 °C
Opener 55, 60, 70, 80, 90 °C
without switching point X

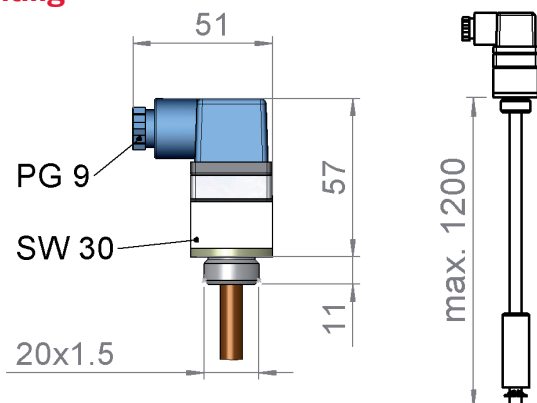
switching point max. oil level L2 [mm] for 2 point
(only for 2 Point) X for 1 point

Switching point min. oil level L1 [mm]

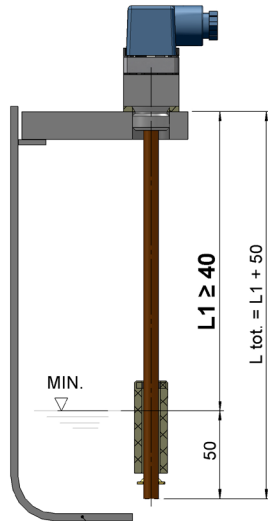
Product information

Type	Contact function	Level	Temperature switching point [°C]	Weight ca. [kg]
34200	Normally open	Minimum	-	0,20
34202	Normally open	Minimum	60, 70, 80, 90	0,20
34204	Normally open	Maximum + Minimum	-	0,20
34206	Normally open	Maximum + Minimum	60, 70, 80, 90	0,20
34201	Normally closed	Minimum	-	0,20
34203	Normally closed	Minimum	55, 60, 70, 80, 90	0,20
34205	Normally closed	Maximum + Minimum	-	0,20
34207	Normally closed	Maximum + Minimum	55, 60, 70, 80, 90	0,20
34209	Normally open/closed	Minimum	55, 60, 70, 80, 90	0,20
34208	Normally closed/open	Maximum + Minimum	-	0,20

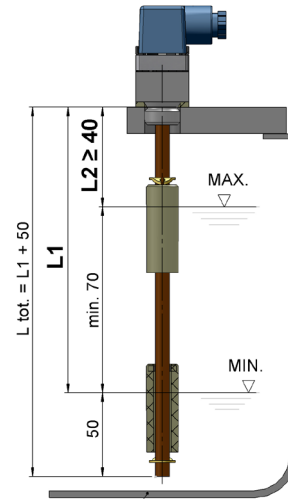
Mounting



1 Point oil level switch



2 Point oil level switch



Type	34200	34201	34202	34203	34209
Temperature switching point	X	X	60 °C 70 °C 80 °C 90 °C	55 °C 60 °C 70 °C 80 °C 90 °C	55 °C 60 °C 70 °C 80 °C 90 °C
Contact function	Closer	Opener	Closer	Opener	Closer / Opener
Home position (oil level o.K.)					
Switched (oil level too low)					
Switched (oil level too high)	X	X	X	X	X

Type	34204	34205	34206	34207	34208
Temperature switching point	X	X	60 °C 70 °C 80 °C 90 °C	55 °C 60 °C 70 °C 80 °C 90 °C	X
Contact function	Closer	Opener	Closer	Opener	Closer / Opener
Home position (oil level o.K.)					
Switched (oil level too low)					
Switched (oil level too high)					